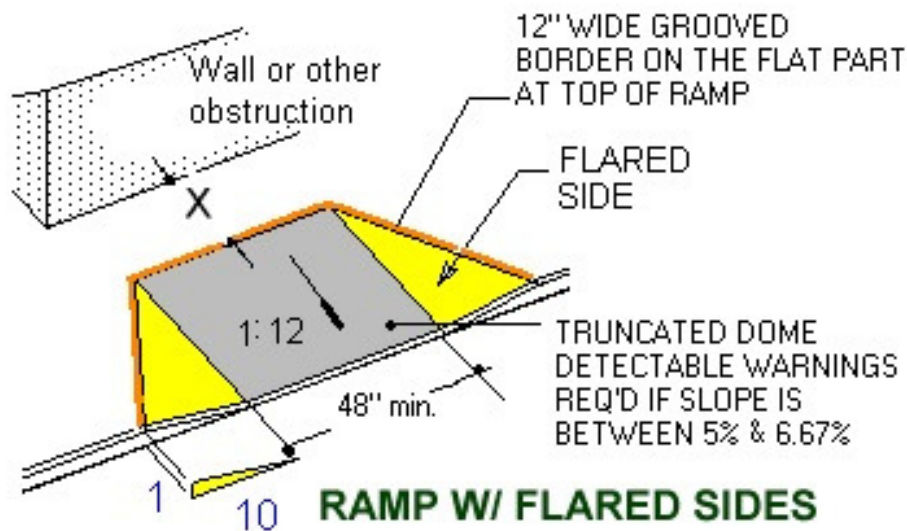
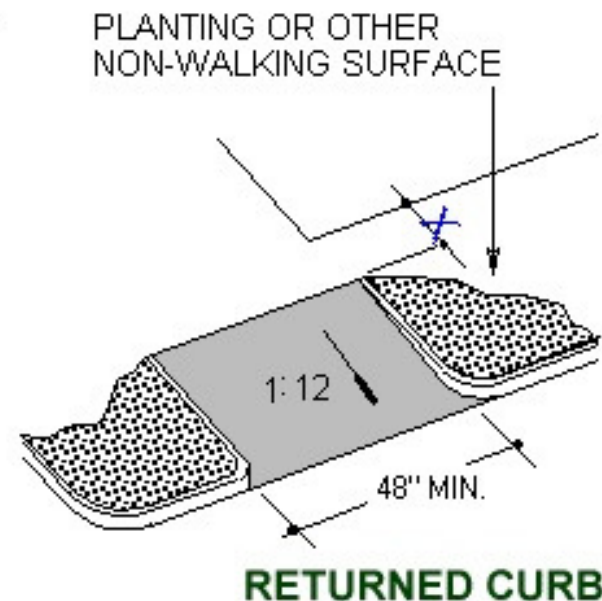


General ADA Ped Ramp Requirements

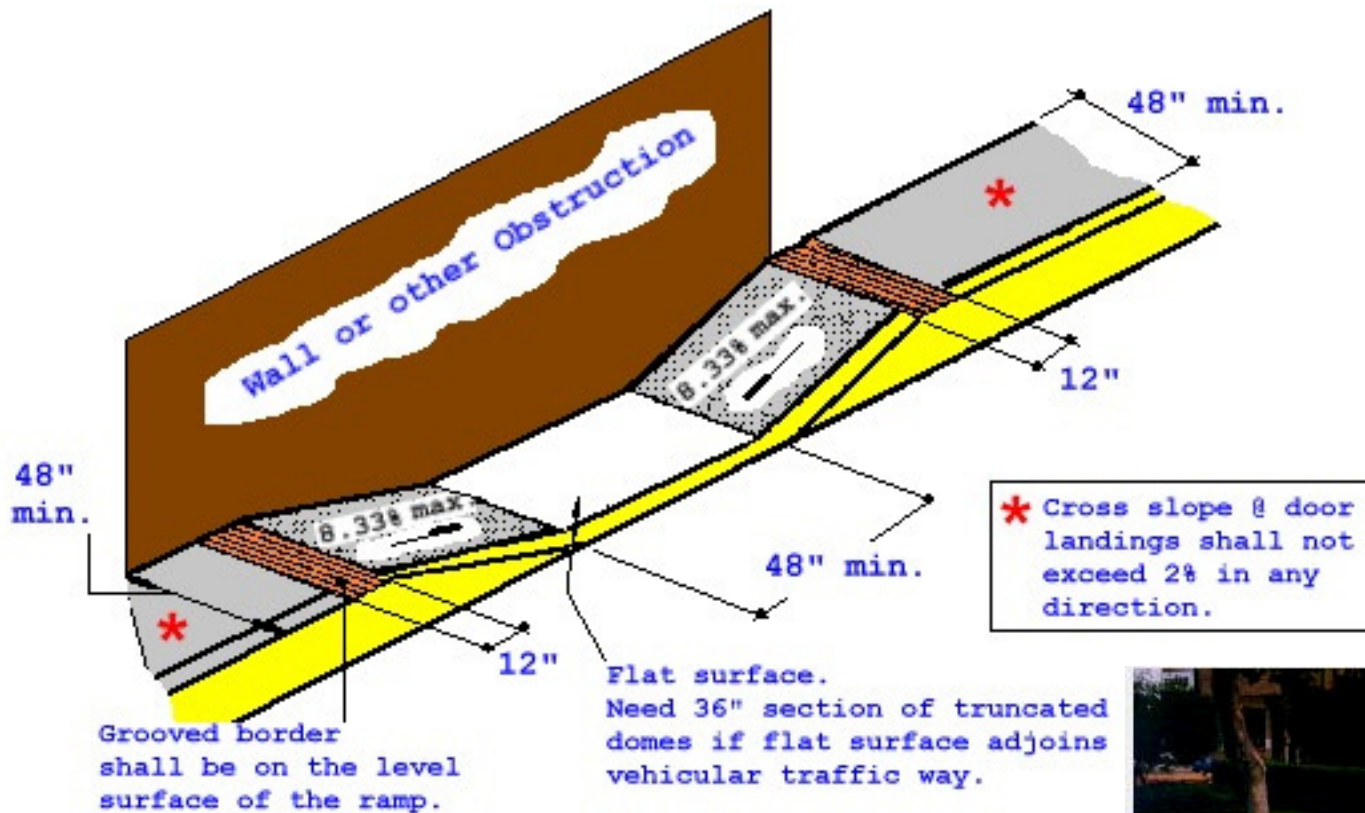


If "X" is less than 48" then the slope of the flared side shall not exceed 1:12



Returned Curb Style & Flared Ramps
ADA FIG: 12, 25-26
CA FIG: 11B-21, Section 1127B.5.4

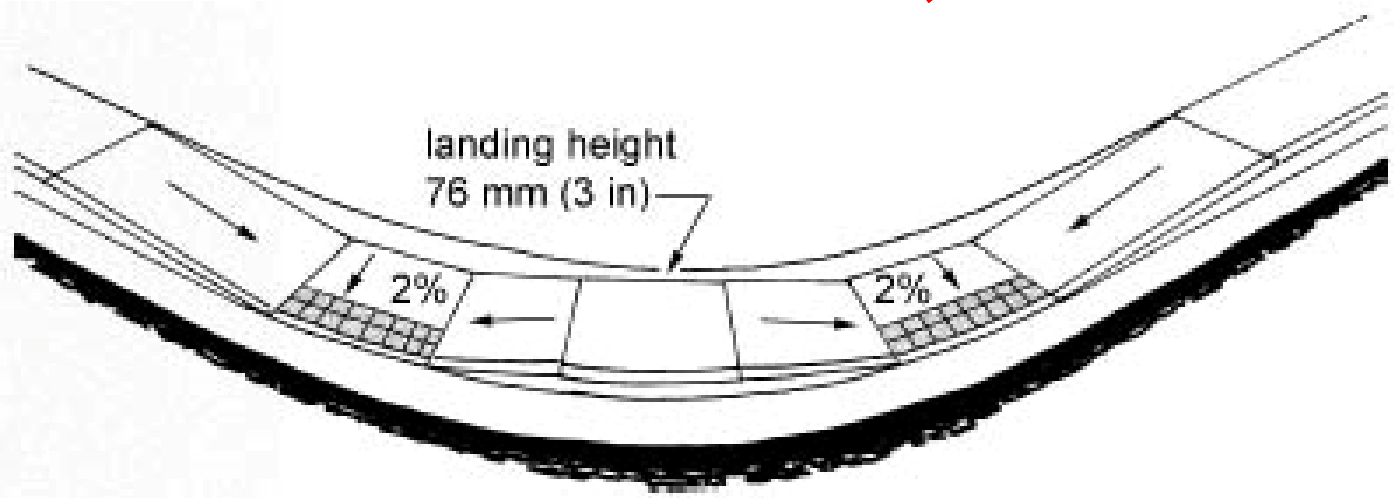
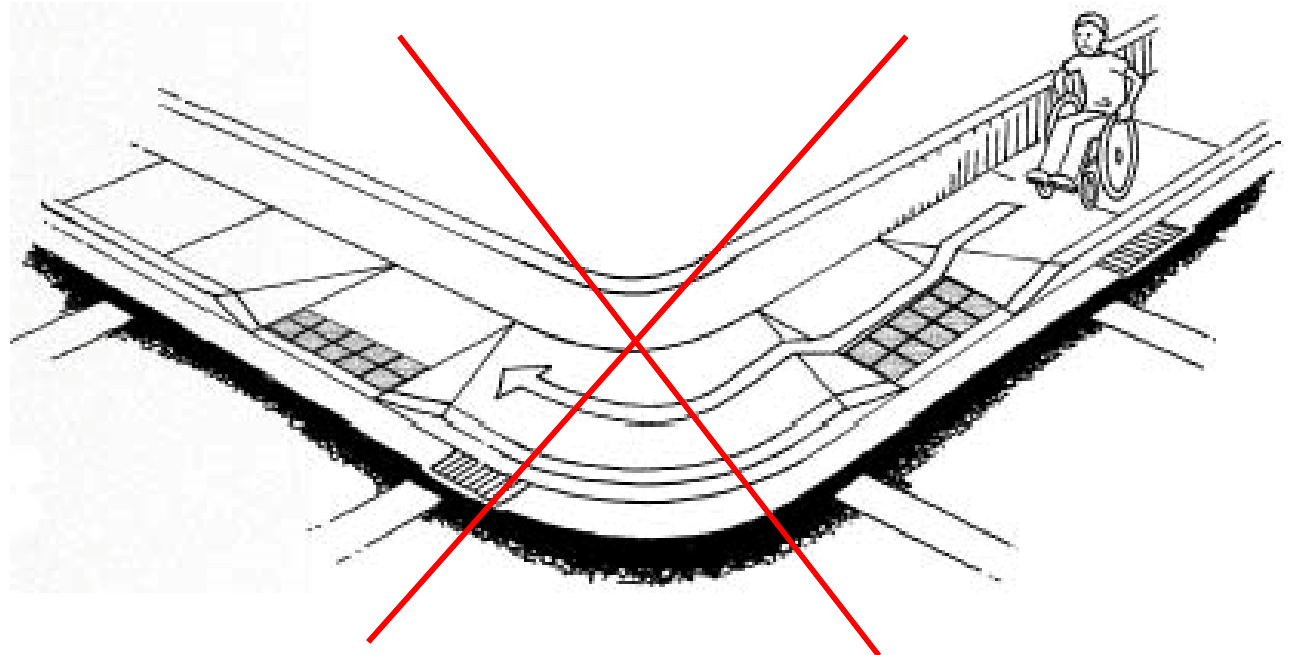
Example at Building Face



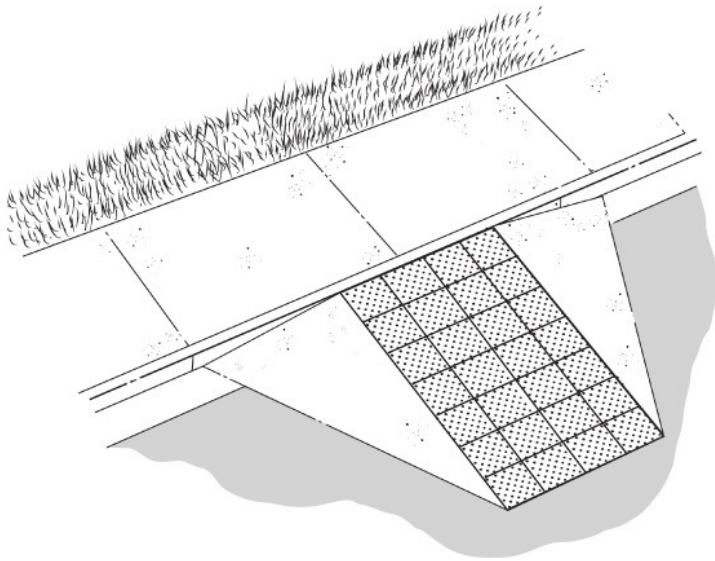
RAMPS IN SIDEWALK PATH



Example at Block Corner



Other Examples



Rollercoaster Effect

